



# Post-Op Hinges

INSTRUCTIONS FOR USE AW-CP020116 Rev H 0723

**SIMPLE • MULTICENTRIC • QUIKLOK**



This device is offered for sale by or on the order of a physician or other qualified medical professional. This device is not intended for reuse on a second patient or for extended use beyond 180 days. This device is generally not intended for patients in excess of 250 lbs (114 kilos). This device is not intended to prevent injuries or reduce or eliminate the risk of reinjury.

**WARNING:** Do not leave this device in the trunk of a car on a hot day or in any other place where the temperature may exceed 150° F (65° C) for any extended period of time. **If any additional pain or symptoms occur while using this device, seek medical attention.**

If any serious incident has occurred in relation to the device, report to Breg and the competent authority of the Member State in which the user and/or patient is established.



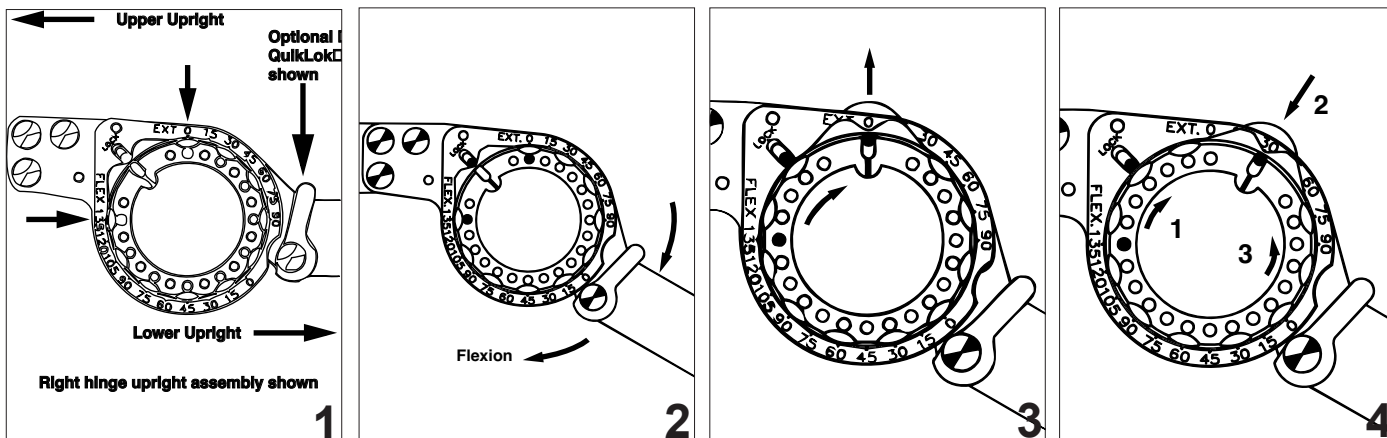
© 2023 Breg, Inc. All Rights Reserved  
2382 Faraday Avenue, Suite 300  
Carlsbad, CA 92008 USA  
Toll Free Tel: 1-800-321-0607  
Local: +1-760-795-5440  
Fax: +1-760-795-5295  
www.Breg.com

EC REP

E/U authorized representative  
MDSS GmbH  
Schiffgraben 41  
D-30175 Hannover  
Germany

# Simple Hinge

## INSTRUCTIONS FOR USE



### OBSERVE PRESENT LIMITS

1. Note the present limits by viewing the pins visible in the dial holes.

### PRE-SET RANGE

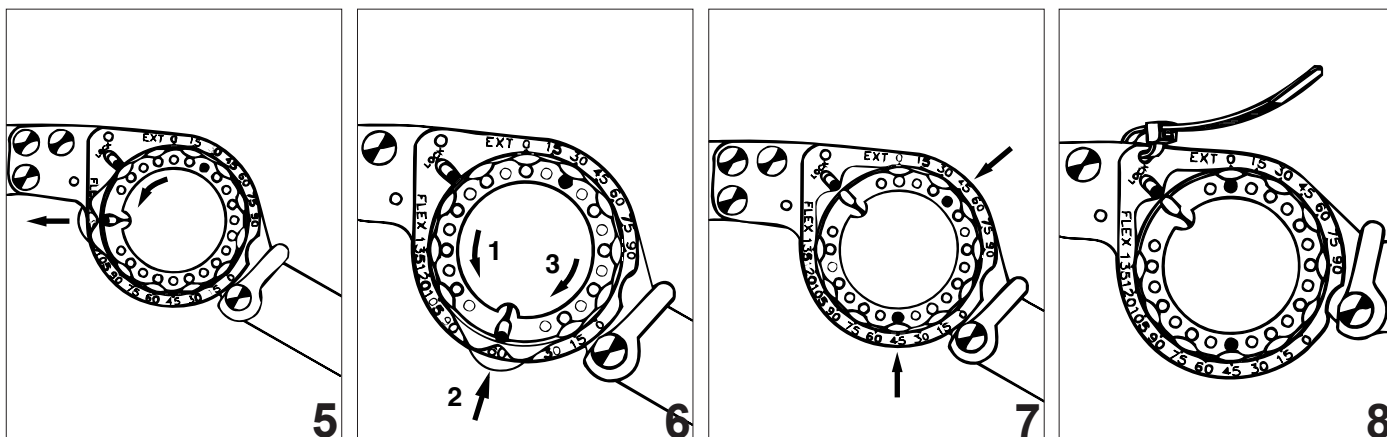
2. Place the hinge between the limits of desired motion before attempting to set the limits.

**NOTE:** Extension limits can be set from 0°- 90° in 15° increments. Flexion limits can be set from 0°-135° in 15° increments.

### SET EXTENSION LIMIT

3. Rotate the dial towards the scale marked EXTENSION until the disc pops out.

4. Continue rotating the dial to the desired extension setting (1) push in on the disc firmly until it is seated (2) while holding the disc in, rotate the dial back to the original "LOCK" position to capture the setting (3).



### SET FLEXION LIMIT

5. Rotate the dial towards the scale marked FLEXION until the disc pops out.

6. Continue rotating the dial to the new desired setting (1) push in on the disc until seated (2) and while holding the disc in, rotate the dial back to the "LOCK" position to capture the limit (3). The limits are now set.

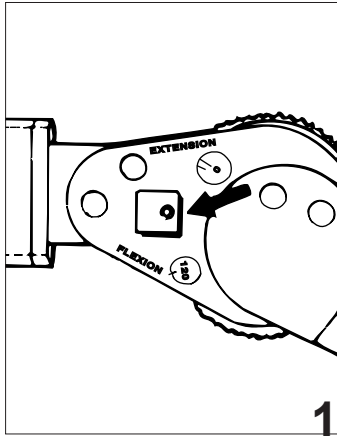
### ADDITIONAL NOTES

7. To lock the hinge at any setting (in 15° increments), set both limits to the same number. Set one, then move the hinge against that limit and set the other limit.

8. To prevent tampering with the hinge setting, insert a cable tie wrap (six provided) into the hole just above the lock pin slot. In order to change the limits, cut the cable tie wraps.

# Multi-Centric Hinge

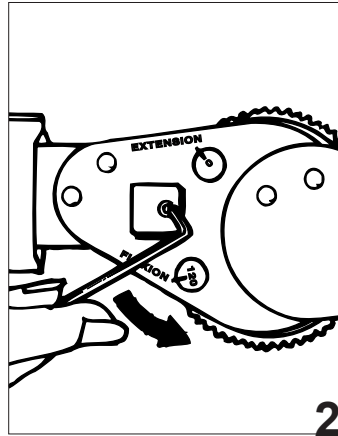
## INSTRUCTIONS FOR USE



### 1. LOOSEN SET SCREW

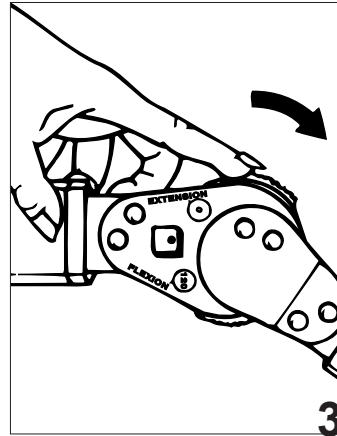
Fit the small hex wrench into the set screw.

**Note:** Always adjust the hinge after placing onto the leg.



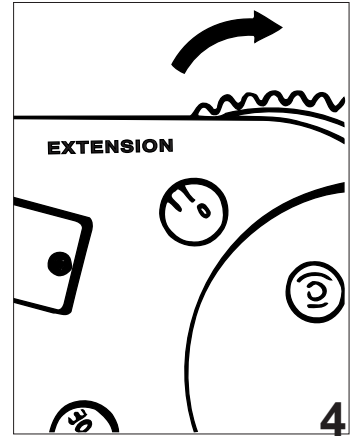
2. Turn the set screw two full turns counter-clockwise to unlock both dials.

**Note:** Do not adjust the interior screw. This set screw has been factory set.



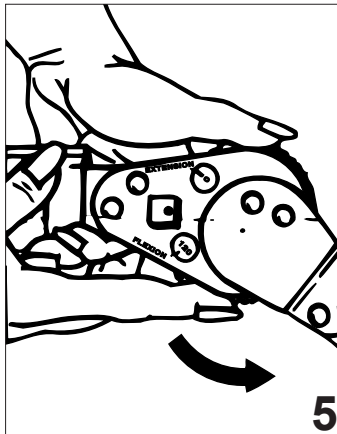
### 3. SET EXTENSION LIMIT

Turn the extension dial toward the foot to set the limit, 0° - 120°.



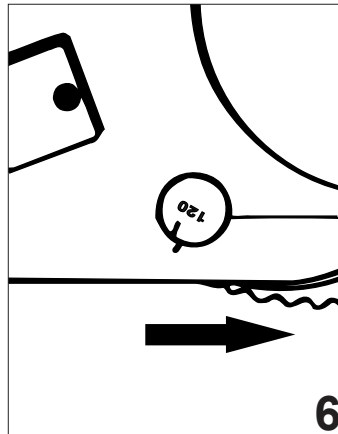
4. Read the desired setting in the window.

**Note:** Hinge angle must be within range to set dials.

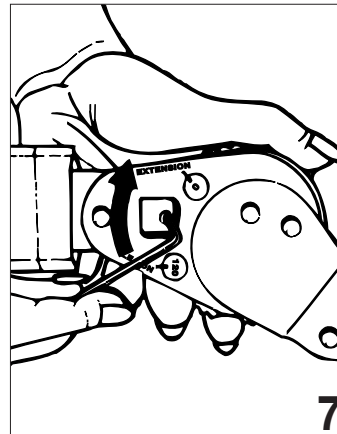


### 5. SET FLEXION LIMIT

Holding the extension dial, turn the flexion dial toward the foot to the desired setting, 0° - 120°.

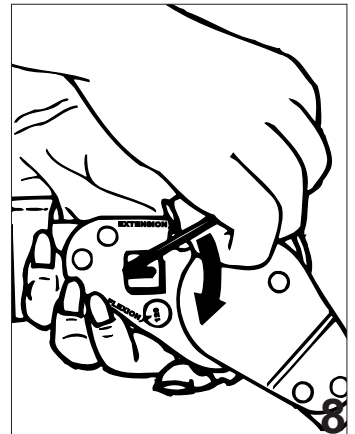


6. To lock the hinge into a fixed position, turn both dials to the same setting.



### 7. TIGHTEN SET SCREW

Holding both dials to prevent turning, fit the small hex wrench into the set screw.



8. Turn the set screw clockwise approximately one full turn until contact is made. Carefully rotate the hex wrench one additional turn beyond this point. Do not overtighten. Make certain that both limit settings are correct. Repeat for the other hinge.

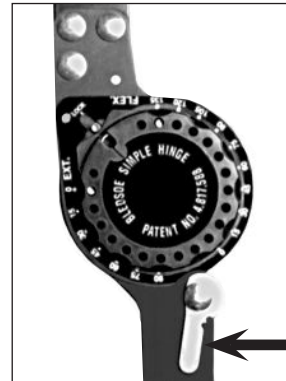
## QuikLok Hinge Function

The Breg **QuikLok Hinge** is an option that can be ordered if you select the Breg **Simple Hinge**. (available on several Breg post-op braces)



### QuikLok Hinge Operation

By engaging the medial and lateral cam levers, the brace can be locked rigidly at full extension (180°). The Breg QuikLok Hinge is shown on the OR Brace at left.



← cam lever